

# 2017/18 AUTOSPEED (unlimited cc) BACK TO BASICS BANGER SPECIFICATIONS



Effective 1 November 2017

## INTRODUCTION

This formula is designed as the entry level fun Banger class ideal for those just starting out or those drivers who want to race with a limited budget. The object of the racing is to complete the specified number of laps in the shortest time. The cars must remain standard.

## NOTICES

**ALL DRIVERS MUST BOOK IN TO RACE AT LEAST 48 HOURS BEFORE ANY RACE MEETING. THIS IS MANDATORY AND APPLIES TO DAY LICENCE DRIVERS ALSO. ALL DRIVERS MUST SIGN IN AT THE PIT OFFICE AT LEAST 1 HOUR BEFORE START TIME.**

**ALL cars must be painted. Unpainted cars will not be permitted to race, until they have been rectified.**

## TYPE OF RACING

- You may push a car from behind, or spin a car to the infield but there is no following-in (you must not be on the back or side of a car as it hits the fence).
- 'T-Bones' are also not permitted. The definition of a 'T-Bone' is when contact is made with the side of a car between the front and rear wheels. T-boning cars which are against or close to the barrier with excessive force is not allowed. It is also not permitted to t-bone a car which is close enough to the barrier to mean that significant impact with the barrier is inevitable after the hit. Even where cars are not against or near the barrier, the Steward may still consider a hard t-bone anywhere on the circuit to be excessive, and may take the appropriate action to discipline the driver.
- Racing is in a clockwise direction on a clearly defined circuit with a separate infield.
- No attacking stationary cars.

## VIOLATIONS

- When referring to the engine, gearbox, final drive, mechanical or construction Rules & Regulations, the principle will always be: Unless permission is specifically granted to make modifications (or any variation) nothing may be done to alter or change the standard parts in any way.
- It is the responsibility of the Driver to prove to the Promotion that the part is legal, by way of written proof of where the part originated. This must be undertaken within 7 days, otherwise the item in question will be deemed illegal, resulting in immediate suspension from racing & referral for disciplinary action. **Unless the rules say you can do it, you cannot!**
- Presentation of a vehicle for a Safety Check is a declaration that the vehicle is eligible for that event.
- Car engines & fuel will be checked on a random basis. Violations or refusal to allow an engine check will result in an immediate suspension of all racing activities.
- All Car and Engine Specifications will be taken from either the manufacturers Technical Specifications or the Technical Service Data books as published by Auto Data. Should a discrepancy occur between the Specifications then the Promotion will exercise its judgment, and that decision will be final.
- Clarification on any one item may be sought from the Promoter.
- Each driver is permitted one car per meeting & each car is permitted one driver per meeting.

## PRE MEETING SAFETY CHECKS

- Arrival at the raceway is required a minimum one hour before the advertised start time, to allow pre meeting safety checks to be carried out.
- You must sign in at the pit office, where your log book will be stamped, prior to pre meeting safety checks. The driver must accompany the car, complete with ORCi Log Book, racing overalls, fire retardant gloves and crash helmet.

## **1. CARS ELIGIBLE**

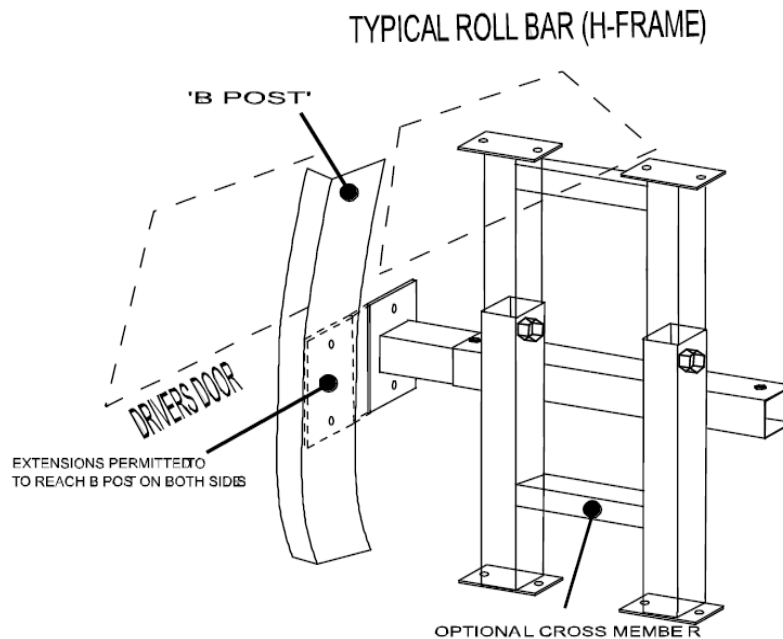
- Unlimited 'Back To Basic' cars must be over 1800cc (petrol or diesel). No Ford Focus, rear-wheel driver Previa type vehicles or four-cylinder Ford Mondeo/Cougars are permitted. You may use Honda powered cars in Unlimited 'Back To Basic' meetings. The use of turbo or supercharged cars are not permitted.

- No SUV's, 4 x 4 or van derived (e.g. SsangYong Rodius) vehicles allowed.
- Chrysler Imperial chassis cars are NOT permitted for use.
- The car must have an all-steel body, which must not be lowered, narrowed or shortened.

## 2. STRIPPING & PREPARATION

- Remove all exterior mouldings, screen glass, lamps, handles and any spoilers.
- Remove all airbags and charges (if fitted), interior trim & passenger seating.
- Remove the fuel tank, spare wheel carrier & tow bar if fitted.
- Remove rear spoiler and side skirts even if factory fitted.
- Remove all obsolete wiring and interior debris from the car.
- Both steel & plastic rear bumpers must be removed.
- It is compulsory to pad steering columns with high density foam if the original trim is removed.
- It is compulsory to pad the B pillar and roll cage.
- Cars must remain 'on the key' with the original ignition system.
- No welding is permitted.
- Apart from items mentioned within these rules all other parts must remain standard as manufactured.

## 3. ROLL BAR



Plans Supplied by BBR Fabrication 07974 188819

- You must fit a single "hoop" roll bar in support of the door pillars, securely bolted to the roof and floor with a minimum size M12 bolt and suitable washers.
- You must have a minimum of four bolts in the top and four in the bottom, with a maximum of eight in the bottom on each side. The maximum size of the base plate is 12" (300mm) x 9" (230mm)
- Roll cages may be adjustable (height and width), however the use of screw adjusters i.e. acrow style, are not permitted.
- The roll cage must be fitted upright or dog-legged, but not leaning back or forward.
- It is compulsory to pad roll cages by the drivers head, the B pillar and steering columns with high density foam.
- The hoop must be one piece, or two uprights and one top bar of a welded construction. This top bar should be as shown at the top of the uprights.
- A second cross bar is compulsory, a third is optional; these must be welded or bolted to the uprights.
- THE ROLL BAR MUST NOT HAVE ANY REAR SUPPORTS but may have extensions no further forward than the B post (see diagram) (this applies to both sides of the car). If used, it is highly recommended that this is bolted through the B post.
- You may bolt the roll bar through both sides of the car.
- The minimum size steel for the roll bar is 2" (50mm) x 2" (50mm) RHS or tube equivalent, up to a maximum size of 4" (100mm) x 4" (100mm) RHS or tube equivalent. A minimum wall thickness of 3mm is required.
- Crossbars must have a 5" (125mm) square end plate fitted. This must be a minimum of 6mm thick.

- You must tie the seat at shoulder level to the roll cage or B pillar. This must be done through the seat frame and not the headrest; you may fit the 2nd cross bar in support of the seat just below the window aperture or weld a frame on the cage to support the seat at the top.

#### **4. STRENGTHENING & PREPARATION**

- Cars that fail pre-meeting Safety Checks or post-race scrutineering, found to be armoured or strengthened, including engine or gearbox suspension mounts that are over the top and not rectifiable on the day, will receive an immediate ORCi ban. If the vehicle can be rectified at the track then the vehicle must race, otherwise the driver will be subject to an ORCi ban.

##### **Doors & Door Plates**

- A FLAT (no channel or angle) steel plate MUST be bolted over the driver's door to the following dimensions:  

**Height – minimum 10" (255mm) to a maximum of 15" (380mm)**  
**Thickness - minimum 9mm – 20mm**
- This must be fitted with a minimum of 75mm and a maximum of 150mm past the A & B pillars.
- This must be securely bolted with a minimum of four bolts.
- It is not permitted to cut slots in the driver's doorplate. Holes for bolts only.
- There must be at least one bolt through the A and the B, or through the roll cage.
- The bolt size must be at least M16 studding or bolt. M12 is acceptable on all other bolts
- For 2 door and pillar-less cars (no B Pillar), the door plate MUST be bolted through the roll cage.
- Passenger doors may be tied shut with seat belt in a maximum of two separate places which must not go through the roof or the floor. Any seat belt must be knotted and not fixed with tape or tex screws.

##### **Bonnet/Boot**

- The bonnet if being secured shut must be tied down with seat belt only in a maximum of four separate places.
- Boots/hatchbacks must be tied shut with seat belt only in two separate fixings.
- Bonnet must not be moved forward or strengthened and must remain standard.

##### **Wings**

- The lower edge of the front wings may be trimmed but wings must not be folded or crimped.

##### **General**

- No screen bars allowed.
- Sunroof must be bolted. If covered, the maximum thickness of flat steel plate is 1/8" (3mm), and the maximum size is 4" (100mm) larger than the sun roof opening.
- A seat with a head restraint must be fitted. The seat must be securely mounted at shoulder height to the cross bar or to the rollover bar and bolted securely to floor. The seat must be a standard production seat, not a racing seat.
- A steel plate fitted to the driver's floor-pan is highly recommended. It must be no thicker than 6mm, and must be bolted and/or welded in. This may be modified to rise to the maximum height of the sill of the door side only.

#### **5. FINAL PREPARATION & PAINTWORK**

- All cars MUST BE PAINTED, preferably in a bright colour. Should a car not be painted it will NOT be permitted to race, until this is rectified.
- Cars can be neatly sign written, but nothing should be painted or sign written on the car which could cause offence.
- Rusty or dirty vehicles will not be allowed out onto the circuit.
- Rude or provocative slogans are not allowed.
- In addition to the car construction rules, all cars presented at scrutineering must be considered safe and not unsightly.
- New under sealing of the underside of the car is strictly forbidden.

#### **6. FUEL SYSTEM**

- Original fuel lines may be used but must enter the car either through or as near to the bulk head as possible.
- Petrol pumps must be able to be turned off either by the ignition key or a battery cut-off switch.

- The original petrol tank must be removed and replaced with a maximum size 9 litre safety tank fitted either to the H Frame or behind the driver in the passenger area.
- The vent pipe from the top of the tank must be terminated below the floor level of the car and must incorporate a one way valve.
- All fuel tanks must be of steel construction and have a metal screw top.
- All fuel lines must be of good quality rubber or be metal covered, no rigid metal piping is allowed.
- Only roadside fuel can be used Petrol or Diesel. No additives are allowed.
- Multi point injection can be used with a return back to the tank or a t-piece fitted in the fuel line between the fuel tank and the fuel pump.

## **7. ELECTRICAL SYSTEM**

- Cars must remain 'on the key' with the original ignition system.
- Batteries may be left in the original position but if moved inside the car must be securely fastened and covered.
- Batteries must be bolted or clamped in position and completely covered with rot-proof material to prevent acid leakage. Ratchet straps may be used as a secondary fixing only. Batteries must be fitted on or under the roll bar. If batteries are secured in a box the maximum dimensions are 18" x 12", 460mm x 300mm.

## **8. SUSPENSION & BRAKES**

- MUST REMAIN STANDARD. No interchanging of suspension parts is permitted.
- Springs must remain original to the make/model of car. No cut springs, no lowered springs and no coil over springs.
- Brakes must remain standard and to be effective on all four wheels at all times.
- Hand brake must be fitted and be in working order.
- Back axles must be standard to the car with no additional strengthening.

## **9. ENGINES, GEARBOX & DRIVESHAFTS/PROPSHAFTS**

- The engine, flywheel and gearbox must be the one originally fitted to the make/model as manufactured and in standard form.

## **10. COOLING SYSTEM**

- Radiators must be left in the original position all times and replacement radiators must be in the same original place.
- **NO STEAM TANKS ALLOWED.**
- Thermostat may be removed.
- 

## **11. EXHAUST & EXHAUST MANIFOLDS**

- The original down pipes and manifold must be used including catalytic converter (if fitted) but silencers maybe changed but no cherry bomb type are permitted.
- Extra means of fitment are permitted.
- No car will be allowed to race without an exhaust system and all drivers must be aware that if your car appears to be too noisy by a scrutineer or the steward then you may not be permitted to race or may receive a technical disqualification.

## **12. WHEELS & TYRES**

- Any standard manufactured road wheel may be used however all four wheels must be the same size.
- No tyre gators are permitted.
- Only conventional road tyres are allowed, no Weatherspeeds or Rainsports.
- A scrutineer has the option to ask the driver to remove any tyre they deem not within the spirit of the class.
- Wheel nuts must be fitted. Hub-caps and wheel weights MUST be removed.
- All identification markings to remain on tyres. Any tyre with buffed markings will not be accepted, and will be subject to disciplinary action.

## **13. SAFETY EQUIPMENT**

Refer to separate ORCi Safety Spec Sheet

#### **14. RACING NUMBERS**

- You must fit a fin plate to the roof of your car, minimum size 18" x 12"(460mm x 300mm) and a maximum size of 20" x 15" (510mm x 380mm).
- Your number must be black on a white background, no other colours allowed, any other writing allowed must not interfere with the numbers, which must be minimum size 9" (230mm) high x 1½" (40mm) wide. If your number is not to the above specification, you may not be lap scored.
- Your name must also feature prominently on the car.

Updates in red/***bold/italic*** for 2017/18

Date:15/10/2017 – Issue 1

Issued by Autospeed Motorsport Promoters, PO Box 119, Truro, TR1 1WT Tel: 01872 271199